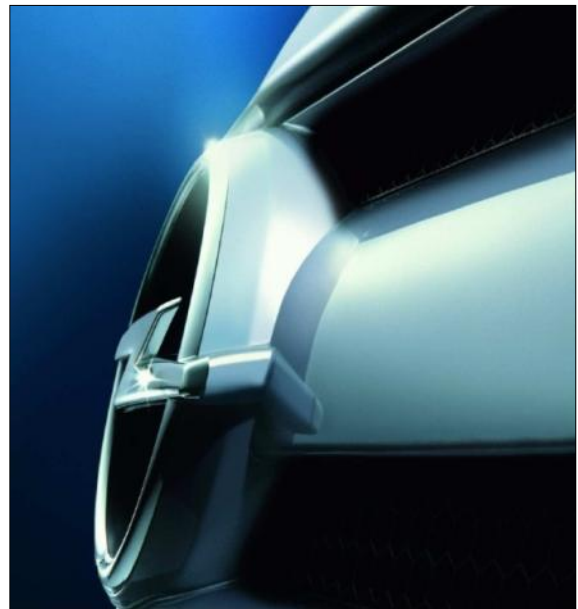


Data Catalogue



Wheel Bolts / Nuts Fastener Specifications



Copyright by Adam Opel AG, Rüsselsheim, Germany
The information contained in this publication is effective as of the date indicated below. Adam Opel AG reserves the right to make changes to the technical specifications, features and design of the vehicles relative to the information in this publication as well as changes to the publication itself.

Edition: September 2016, Adam Opel AG, Rüsselsheim

General handling information



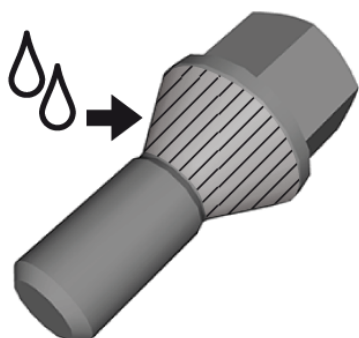
This data catalogue shows the specifications for fastening the wheel bolts or nuts for each Opel / Vauxhall model.

Note:

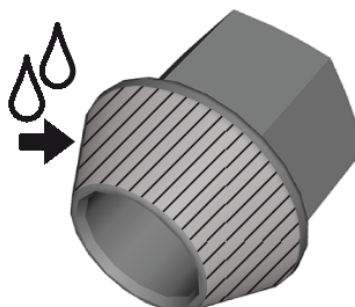
The preparation and processing of the wheel changing is not part of this catalogue. Please follow the wheel changing instructions in the vehicle specific owners manual.

Find the fastener / torque specifications for each car model in the table at the end of this document. Thinly apply grease to the cone of the wheel bolt or nut, only if applicable according to table.

Wheel bolt

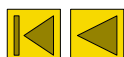


Wheel nut
(only for Agila-A >2004)

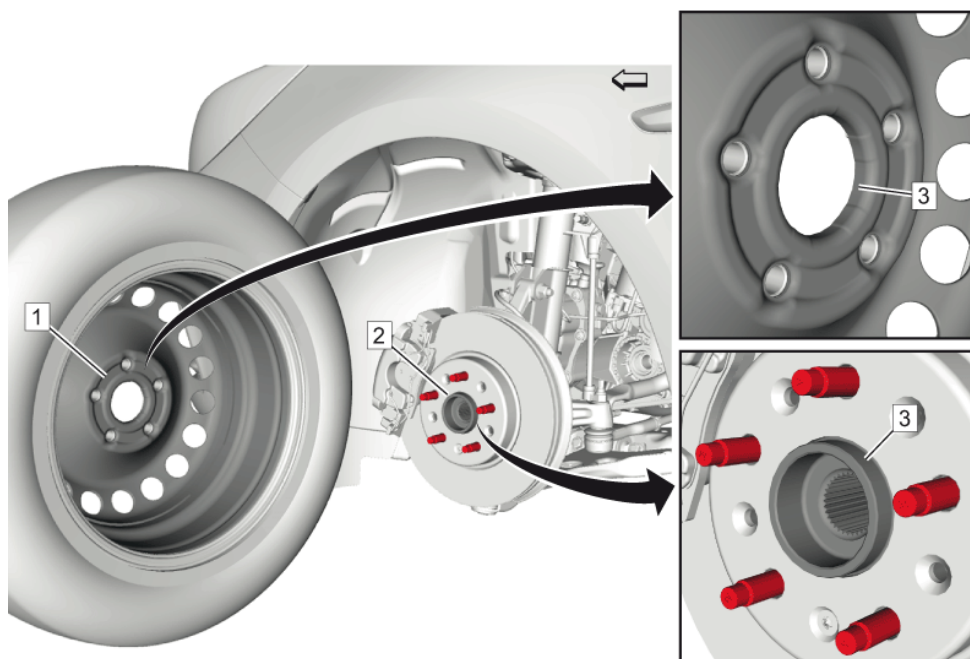


Warning:

Before installing the wheels, remove any buildup of corrosion on the wheel mounting surface and brake drum or disc mounting surface. Installing wheels with poor metal-to-metal contact at the mounting surfaces can cause wheel nuts to loosen. This can cause a wheel to come off when the vehicle is moving, causing loss of control and possibly personal injury.

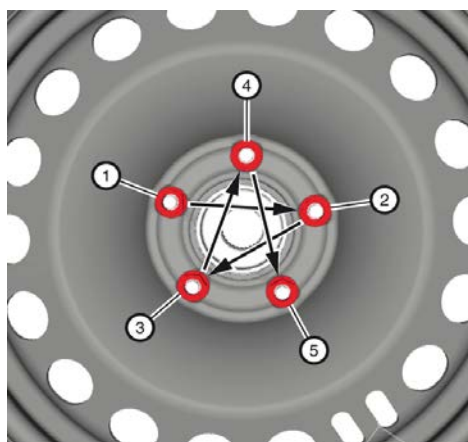
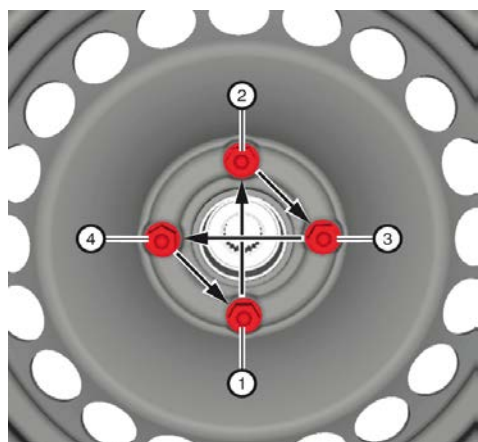


General handling information



Remove any corrosion or foreign material from the wheel (1) and the hub (2) mounting surfaces. Apply grease slightly to the centering of the wheel (3).

Note: Tighten the nuts evenly and alternately with a torque wrench in the sequence shown, in order to avoid excessive runout.



Fastener Specifications



Model	Restriction	Wheel bolt	Wheel nut	Grease to the cone		Specification	
				Yes	No	Metric	English
ADAM		X		X		110Nm	81 lb ft
Agila-A	> 2004		X	X		85Nm	63 lb ft
	2004 >	X		X		110Nm	81 lb ft
Agila-B		X			X	85Nm	63 lb ft
Antara			X		X	140Nm	103 lb ft
Astra-G		X		X		110Nm	81 lb ft
Astra-H		X		X		110Nm	81 lb ft
Astra-J			X		X	140Nm	103 lb ft
Astra-K			X		X	140Nm	103 lb ft
Ampera			X		X	140Nm	103 lb ft
Campo			X		X	118Nm	87 lb ft
Cascada			X		X	140Nm	103 lb ft
Corsa-C		X		X		110Nm	81 lb ft
Corsa-C Combo		X		X		110Nm	81 lb ft
Corsa-D		X		X		110Nm	81 lb ft
Corsa-E		X		X		110Nm	81 lb ft
Combo-D	steel rims		X		X	86Nm	63 lb ft
	alloy rims		X		X	120Nm	89 lb ft
Frontera-A	steel rims		X		X	110Nm	81 lb ft
	alloy rims		X		X	120Nm	89 lb ft
Frontera-B			X		X	118Nm	87 lb ft
Insignia			X		X	150Nm	111 lb ft



Fastener Specifications



Model	Restriction	Wheel bolt	Wheel nut	Grease to the cone		Specification	
				Yes	No	Metric	English
KARL / VIVA			X		X	140Nm	103 lb ft
Meriva-A		X		X		110Nm	81 lb ft
Meriva-B		X		X		110Nm	81 lb ft
Mokka			X		X	140Nm	103 lb ft
Movano-A	> 2001,5		X		X	150Nm	111 lb ft
	2001,5 >	X			X	170Nm	125 lb ft
Movano-B	Front Wheel Drive	X			X	172Nm	127 lb ft
	Rear Wheel Drive with single rear wheel	X			X	264Nm	195 lb ft
	Rear Wheel Drive with twin rear wheel		X		X	235Nm	173 lb ft
Opel GT	2007 > 2009		X		X	140Nm	103 lb ft
Signum		X		X		110Nm	81 lb ft
Sintra			X		X	140Nm	103 lb ft
Speedster		X			X	90Nm	66 lb ft
Tigra-B		X		X		110Nm	81 lb ft
Vectra-C		X		X		110Nm	81 lb ft
Vivaro-A		X			X	140Nm	103 lb ft
Vivaro-B		X			X	160Nm	118 lb ft
Zafira-A		X		X		110Nm	81 lb ft
Zafira-B		X		X		110Nm	81 lb ft
Zafira-C			X		X	140Nm	103 lb ft

